

Rotary switch can be turned 90°, lockable, with relief port including silencer.

Input pressure:
 Vent port:
 Medium temperature:
 Ambient temperature:
 Housing:
 Operation:
 Sealant:
 Flow rate measurement:

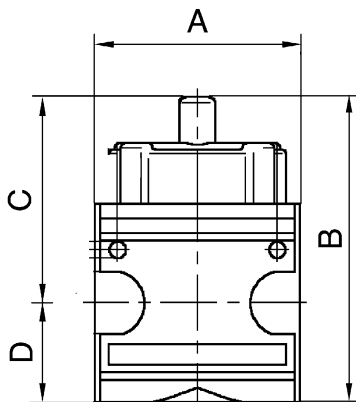
Max. 16 bar
 G 1/2
 Max. 60 °C
 Max. 60 °C
 Aluminium
 Twist knob, rotatable 90°
 NBR
 At $P_1 = 6$ bar and pressure drop $\Delta p = 1$ bar



K 55

Ball valves, 3/2-way

Art. No.	Ident No.	Thread	Flow rate l/min	A mm	B mm	C mm	D mm
K 55	100615	G 1	30000	82.8	133.5	83.0	50.5


flow characteristic
